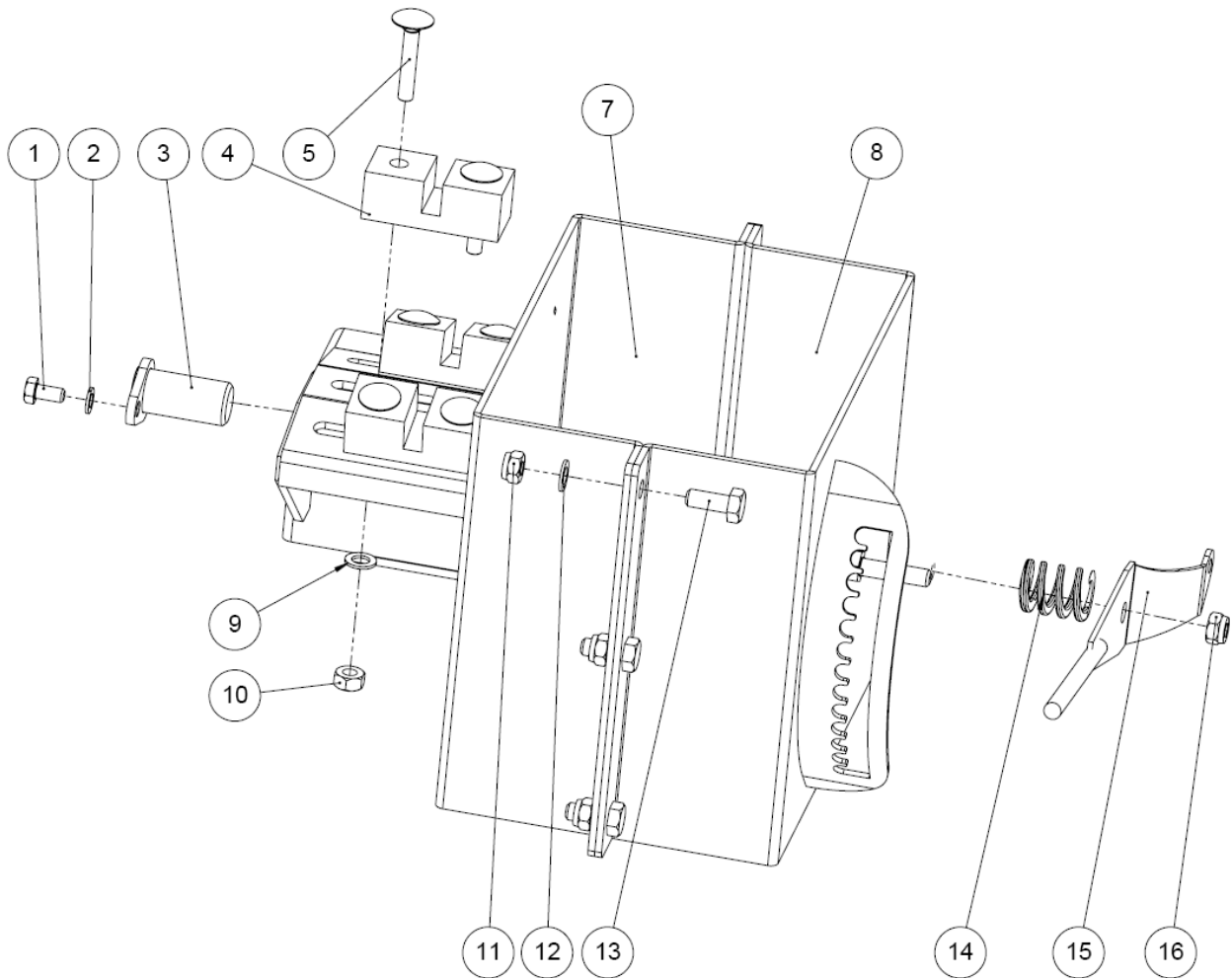
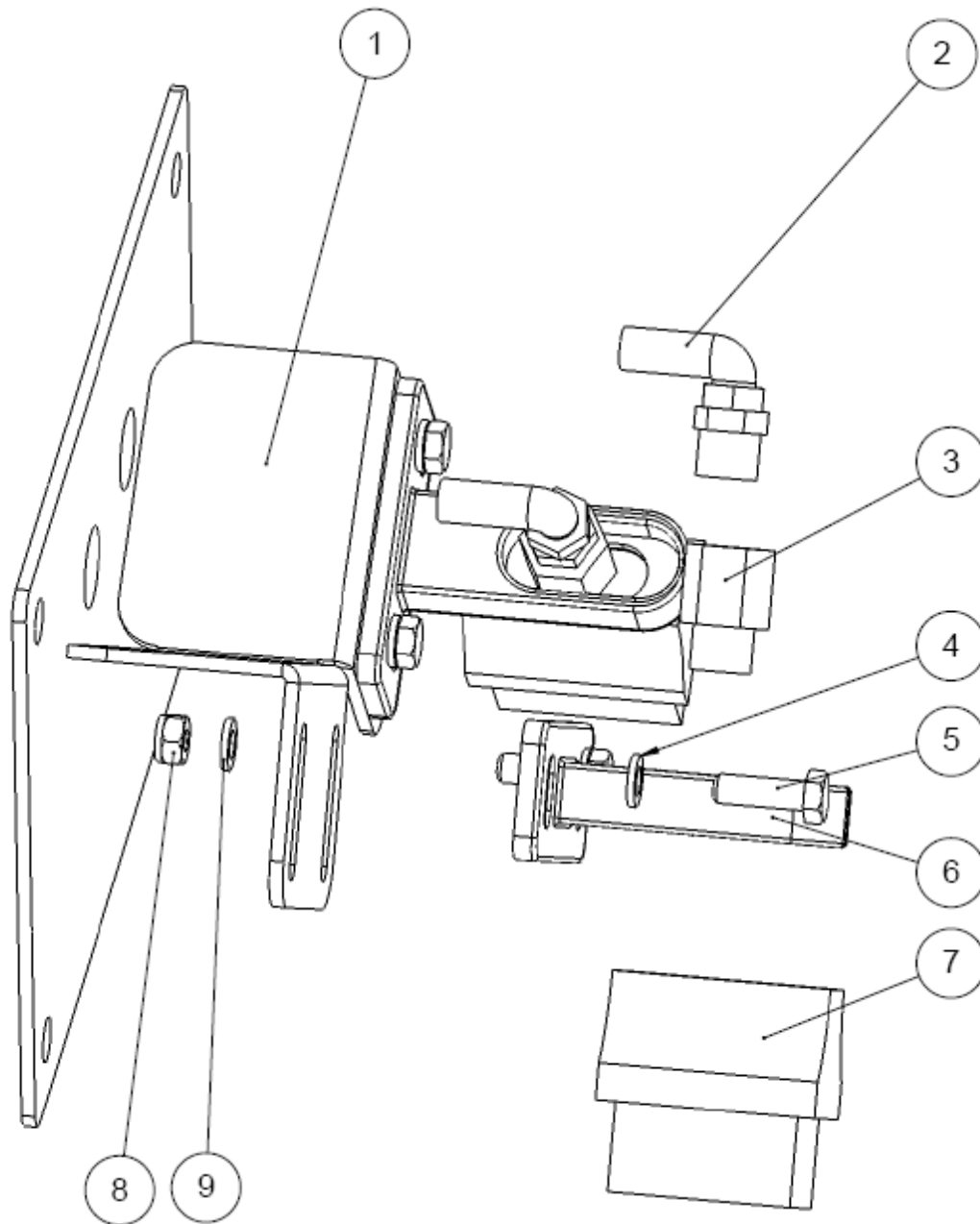


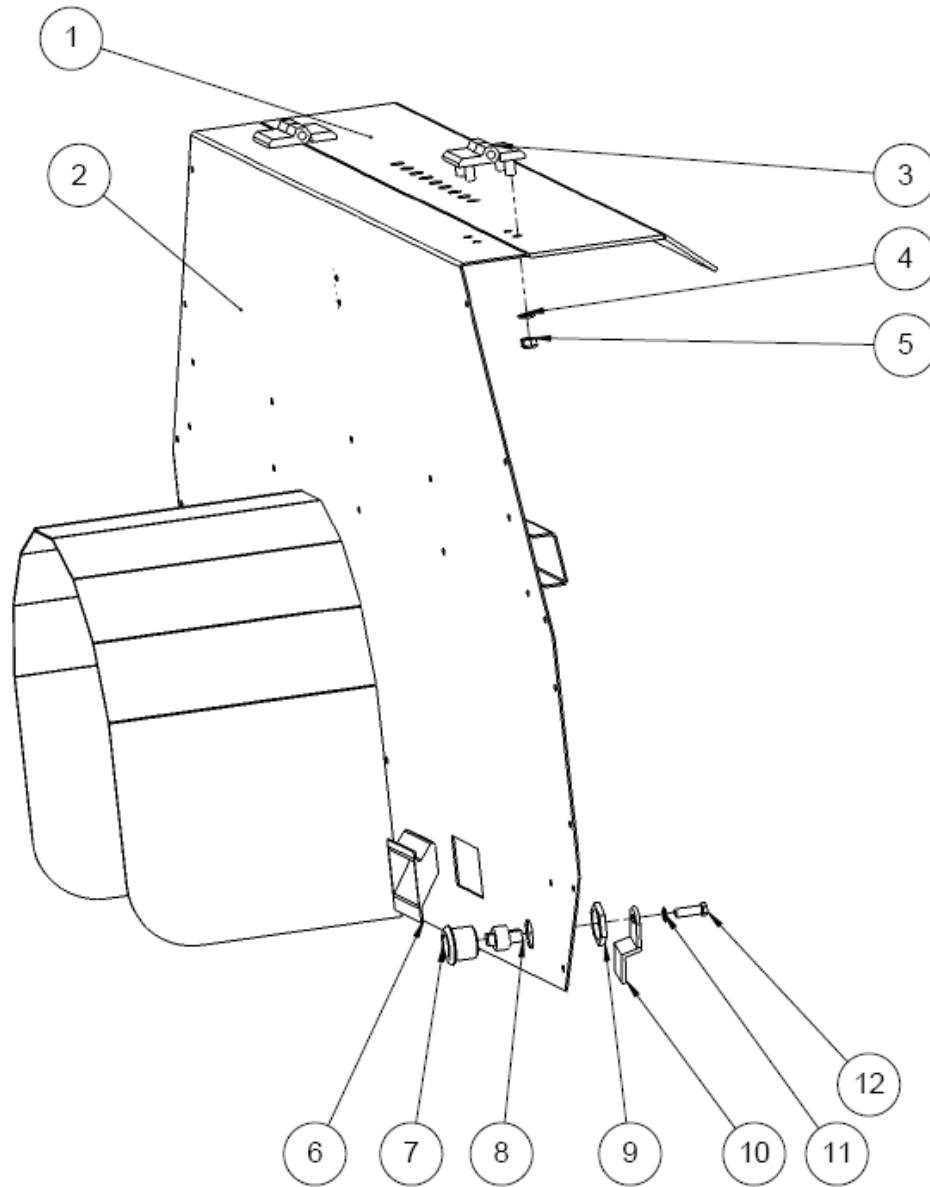
# **Spare part catalogue**



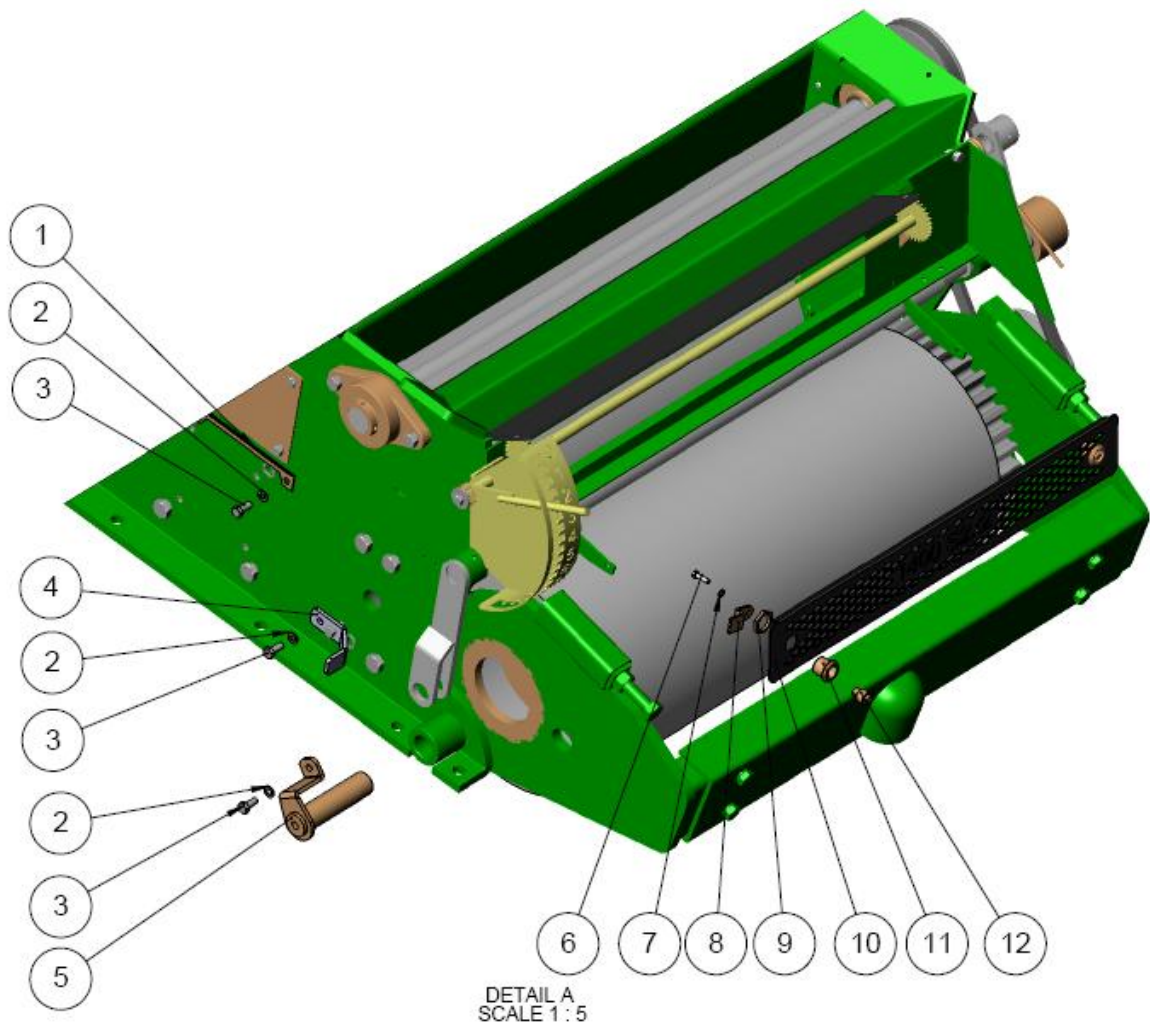
Elevator cylinder bracket AKK-1603				Price € (VAT 0%)
Ref.	Part	Description	pcs	
1		Hex screw M8x16	1	
2		Washer M8	1	
3	AKK-1331	Cylinder shaft	1	
4	AKK-1921	Elevator support plate	3	
5		Lock screw M10x50	6	
7	AKK-1803	Cylinder bracket front part	1	
8	AKK-1804	Cylinder bracket back part	1	
9		Washer M10	6	
10		Hex nut	6	
11		Nyloc nut M10	6	
12		Washer M10	6	
13		Hex screw M10x25	6	
14	8385	Spring Ø25/12,5x25	1	
15	AKK-1620	Adjustment lever	1	
16		Nyloc nut M10	1	



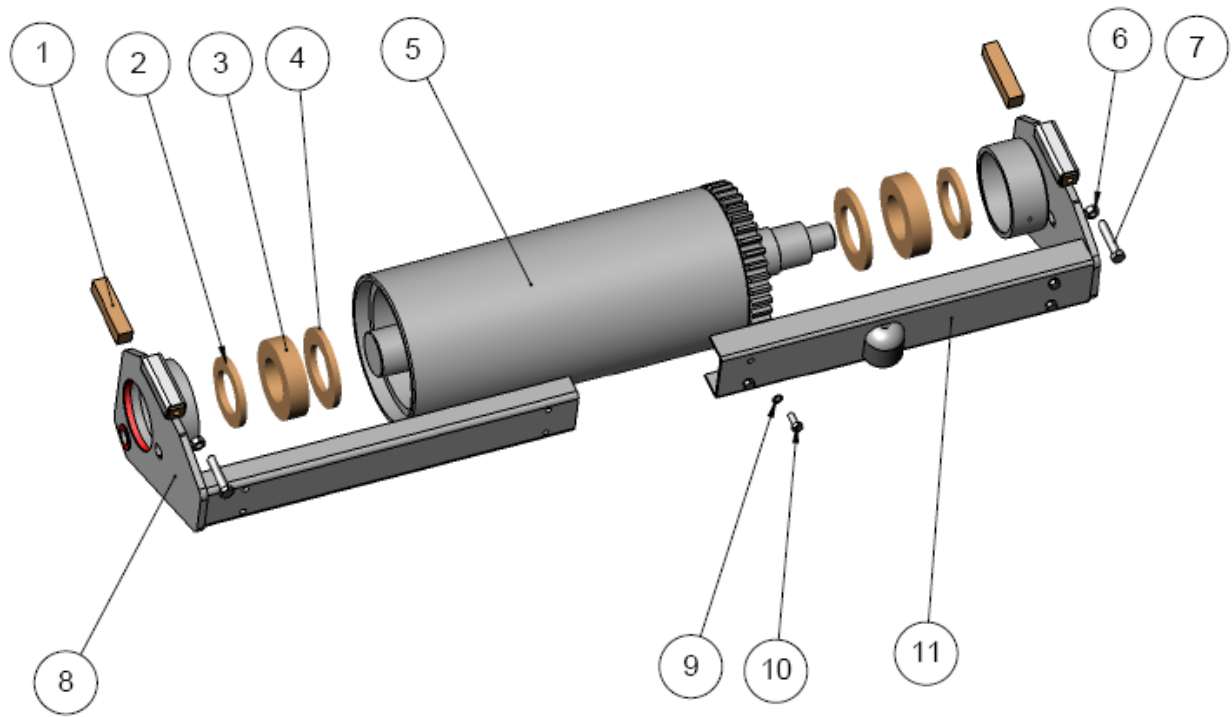
Rollers gearwheel greasing			Price € (VAT 0%)
1	AKK-1797	Greasing brush stand	1
2		Adjustable angle nipple	2
3	9452	Reducer 1/4"-1/8"	2
4		Washer M6	8
5		Hex screw M6x20	4
6		Greasing brush fastener	2
7	9027	Greasing brush A410	2
8		Nyloc nut M6	4



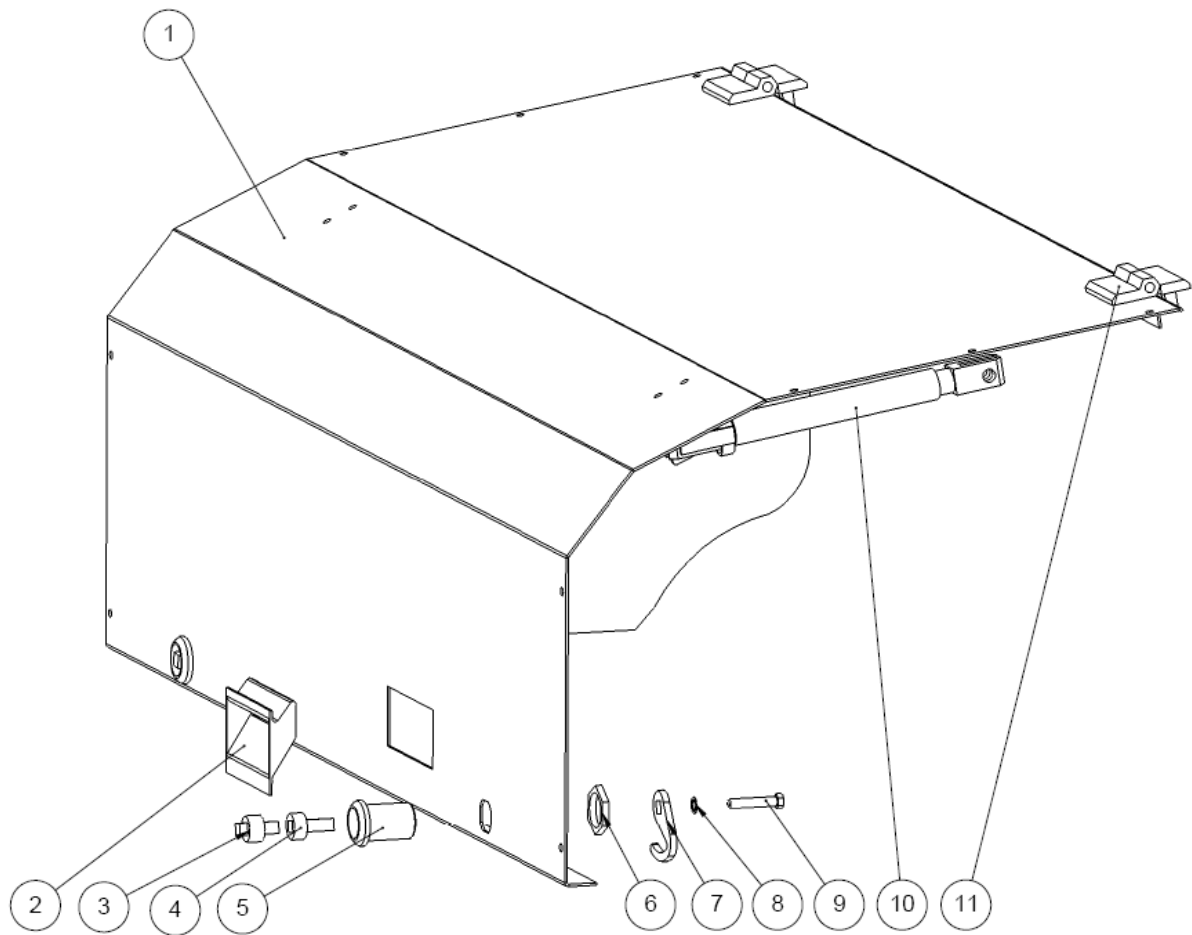
Belt quard plate, top AKK-1241			Price € (VAT 0%)	
1	AKK-1239	Fastening plate	1	
2		Belt quard plate, top	1	250
3	11729	Screw hinge 218-9102	2	
4		Washer M6	4	
5		Nyloc nut M6	4	
6	11715	Handle 213-0703,03	1	
7	4891	Locking housing 211301	2	
8	4893	Locking square 221311	2	
9		Nut	2	
10	11373	Bolt 232117	2	
11		Locking washer M5	2	
12		Hex screw M5x20	2	



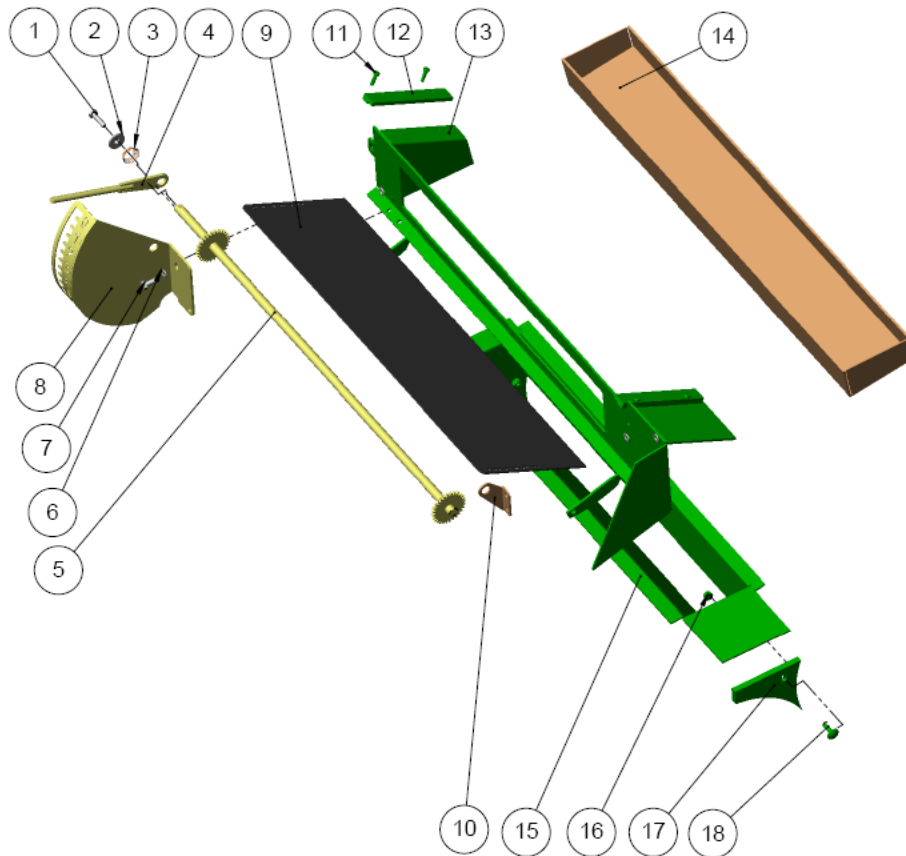
Parts of roller cassette			Price € (VAT 0%)	
1	AKK-1738	Cover plate	2	
2		Washer M8	12	
3		Hex screw M8x16	12	
4	AKK-1734	Stopper	2	
5	AKK-1408	Hinge pin	4	30
6		Hex screw M5x20	2	
7		Locking washer M5	2	
8	11373	Bolt 232117	2	
9		Nut	2	
10	AKK-1469	Checking window 1400S2x2	2	35
	AKK-1749	Checking window 2000S2x2	2	40
11	4891	Locking housing 211301	2	
12	4893	Locking square 221311	2	



Adjustable roller				
				Price € (VAT 0%)
1	AKK-1125	Square bar	2	
2	6111383	Sealing 90x140x13	2	45
3	1684	Bearing 22218 W33	2	224
4	6111785	Sealing 95x160x13	2	59
5		Roller 1400S2x2 (Adj.)	2	1095
		Roller 2000S2x2 (Adj.)		1480
6		Nut M16	2	
7		Hex screw M16x80	2	
8	AKK-1344	Adj. roller bearing housing back, right	1	
	AKK-1800	Adj. roller bearing housing back, left	1	
9		Washer M 12	4	
10		Hex screw M12x30	4	
11	AKK-1343	Adj. roller bearing housing front, right	1	
	AKK-1799	Adj. roller bearing housing front, left	1	

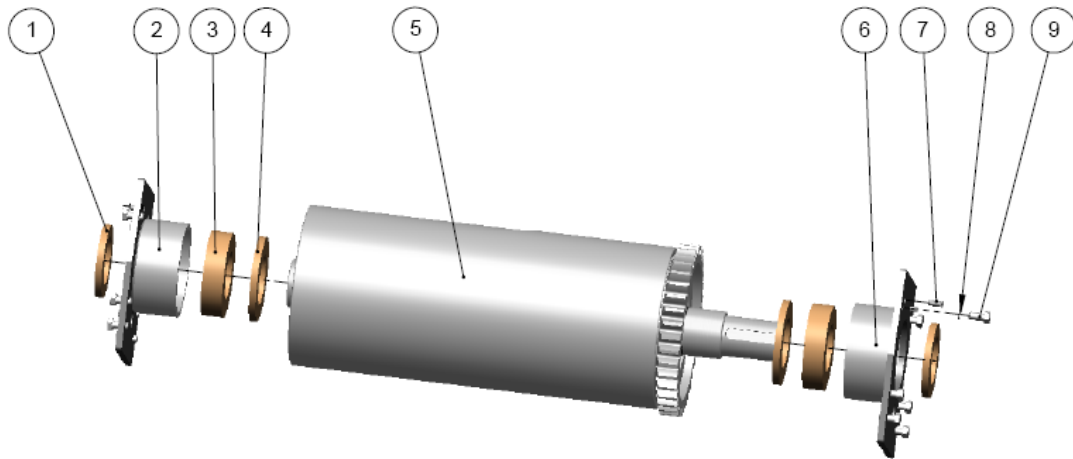


Roller guard					Price € (VAT 0%)
1	AKK-1232	Adj. Roller quard, left 1400S2x2	1		114
	AKK-1772	Adj. Roller quard, left 2000S2x2	1		126
	AKK-1264	Adj. Roller quard, right. 1400S2x2	1		114
	AKK-1774	Adj. Roller quard, right 2000S2x2	1		125
2	11715	Handle 213-0703,03	1		
3	4893	Locking square 221311	2		
4	11769	Locking square extension 271103	2		
5	11768	Locking housing C=30 211320	2		
6		Nut	2		
7	11770	Bolt, right 232180-1	1		
	11852	Bolt, left. 232180-2	1		
8		Locking washer M5	2		
9		Hex screw M5x20	2		
10	11568	Spring 131-90 200N	2		38

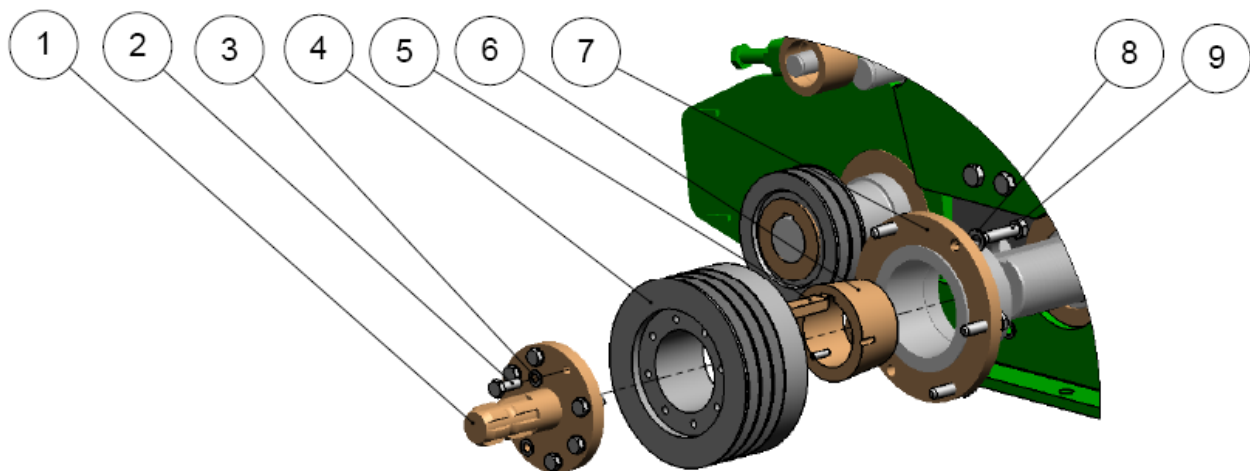


Feeder-door machinery				
				Price € (VAT 0%)
1	Hex screw M8x30		1	
2	Washer M8		1	
3	11932 Cone spring		1	
4	AKK-1678 Feed controller handle		1	27
5	AKK-1407 Feeder-door axle 1400S2x2		2	66
	AKK-1744 Feeder-door axle 2000S2x2		2	70
6	Washer M8		4	
7	Hex screw M8x20		4	
8	AKK-1591 Scale, left		1	80
	AKK-1592 Scale, right		1	80
9	AKK-1530 Feeder-door 1400S2x2		2	35
	AKK-1746 Feeder-door 2000S2x2		2	38
10	AKK-1405 Bracket, left		1	
	AKK-1814 Bracket, right		1	
11	Allen screw M6x20		4	
12	AKK-1531 Controller		2	
13	AKK-1334 Magnets and stone trap frame, left 1400S2x2		1	
	AKK-1742 Magnets and stone trap frame, left 2000S2x2		1	
	AKK-1335 Magnets and stone trap frame, right 1400S2x2		1	
	AKK-1743 Magnets and stone trap frame, right 2000S2x2		1	
14	AKK-1686 Magnets and stone trap 1400S2x2		2	
	AKK-1747 Magnets and stone trap 2000S2x2		2	
15	AKK-1337 Grain controller, left		1	
	AKK-1336 Grain controller, right		1	
16	Nyloc nut M8		2	
17	2587 Plastic wedge		2	
18	Lock screw M8x25		2	

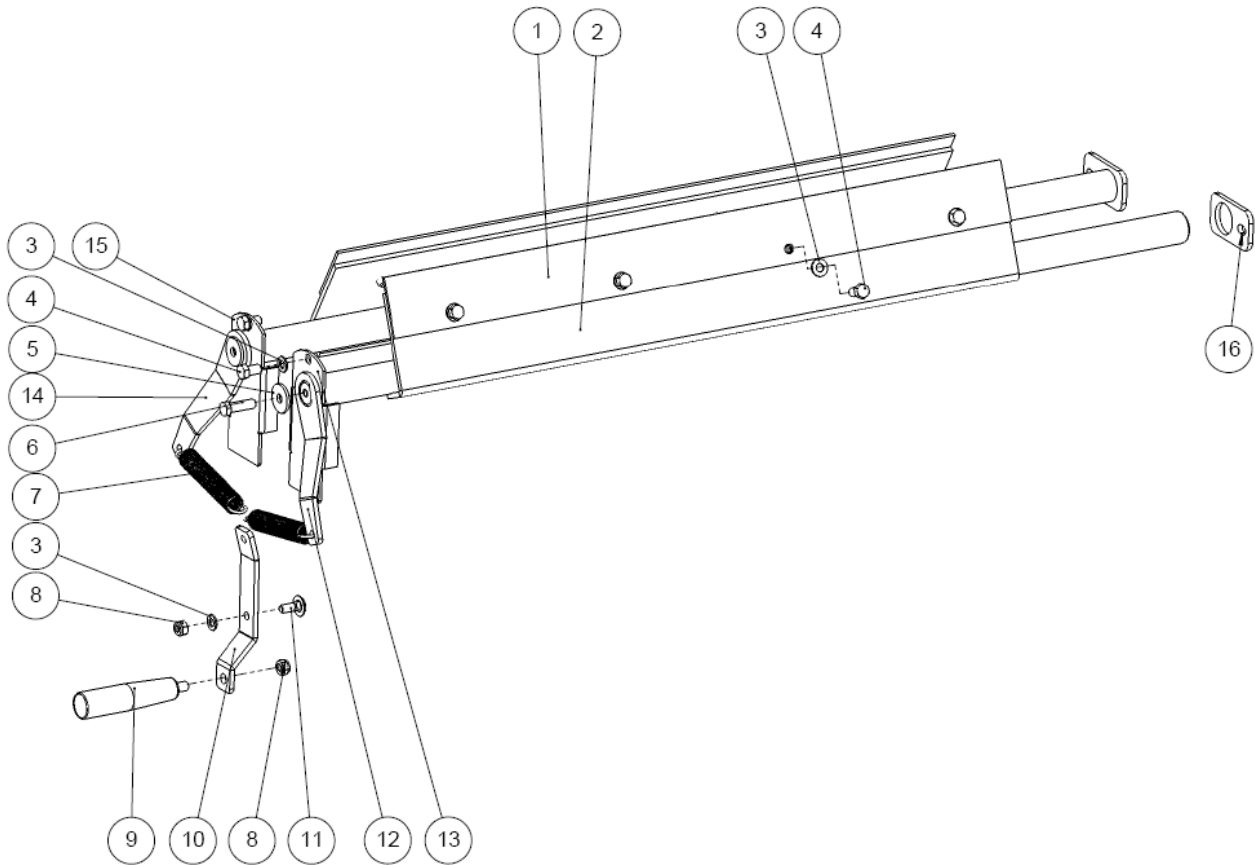




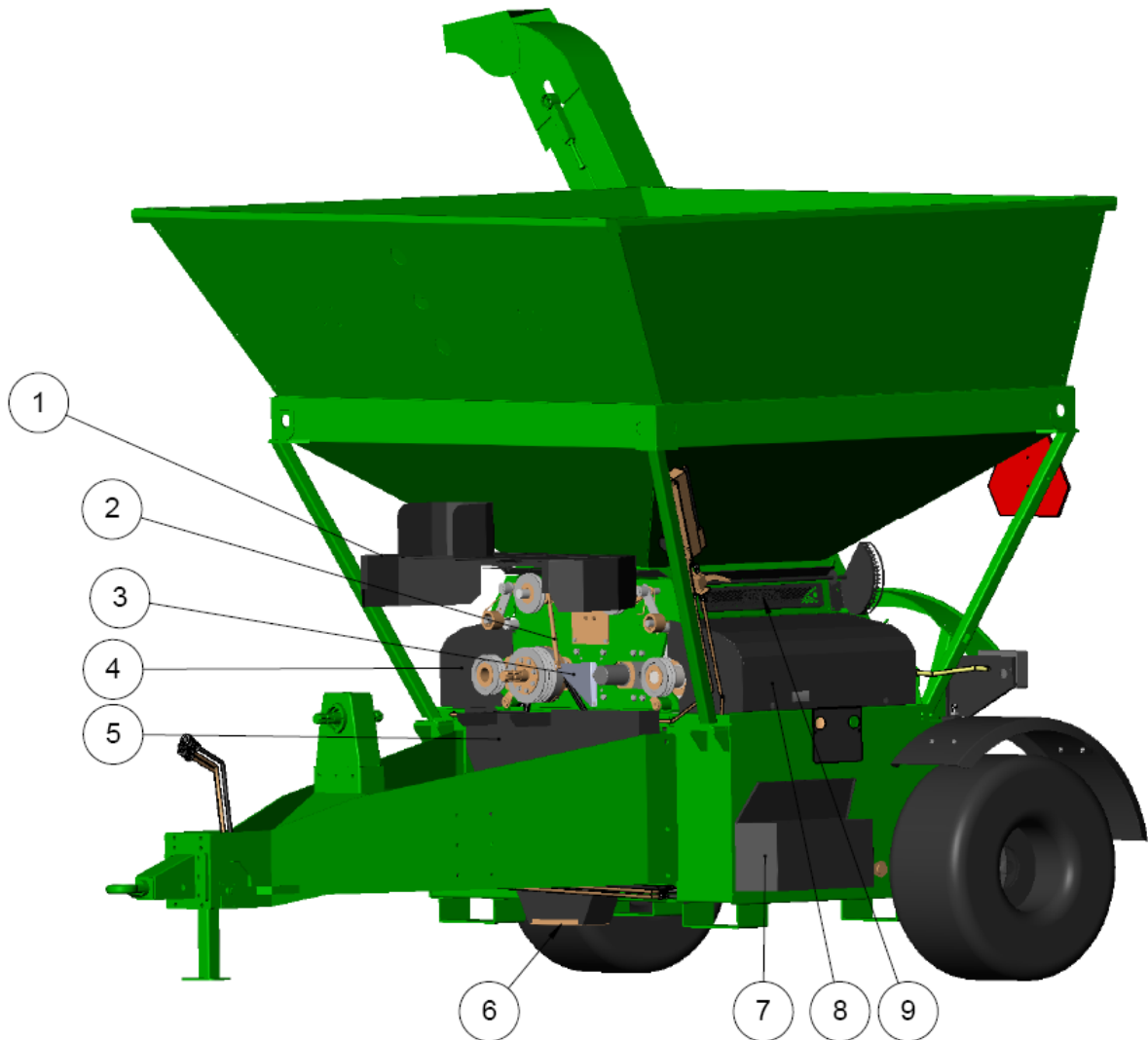
Fixed roller				Price € (VAT 0%)
1	6111383	Sealing 90x140x13	2	45
2	6114	Bearing housing (fixed roller), right	1	167
3	1684	Bearing 22218 W33	2	224
4	6111785	Sealing 95x160x13	2	59
5		Fixed roller	2	1095/1480
6	11544	Bearing housing (fixed roller), left	1	
7		Spring pin 10x24	8	
13		Washer M12	12	
16		Hex screw M12x50 10,9	12	



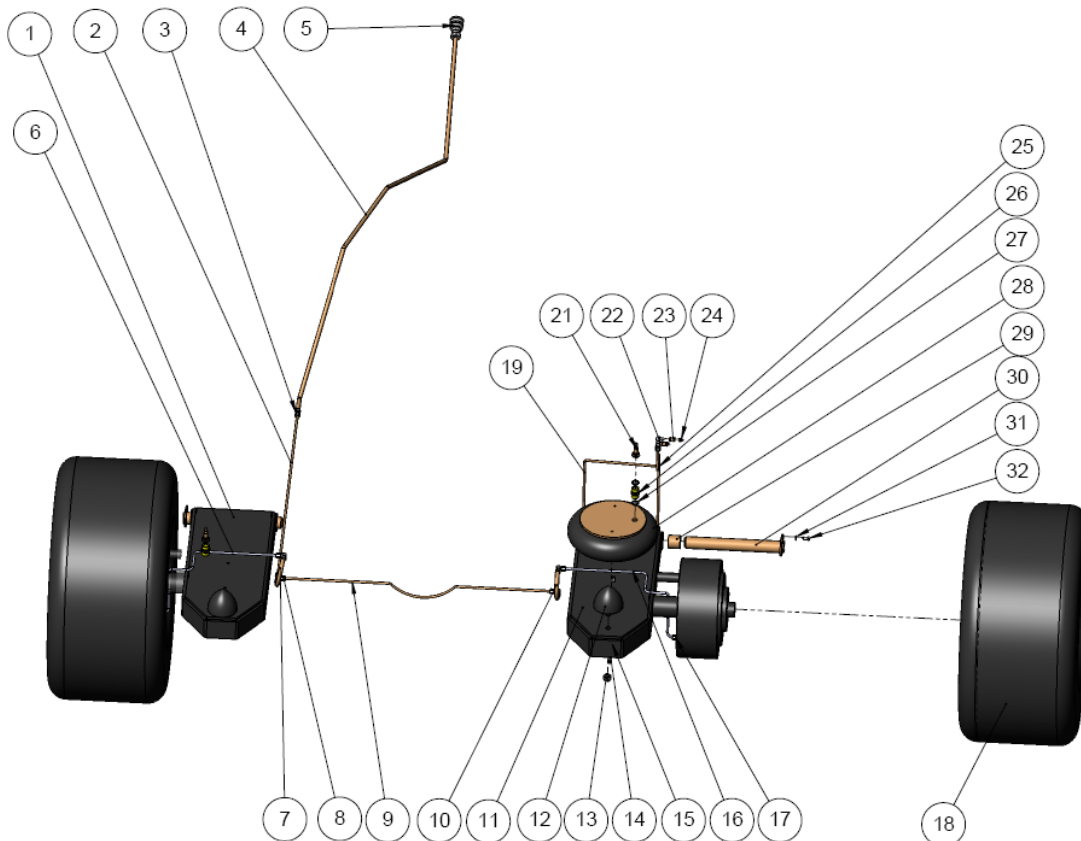
Splined shaft fastening (Elevator version)					
					Price € (VAT 0%)
1	AKK-1974	Splined shaft 1 ¾	1		80
2		Hex screw M10x30	8		
3		Washer M10	8		
4	AKK-1901	Three-furrow spline pulley	1		235
5	11563	Spline steel 20x12	1		
6	11402	Taber hub 3030-70	1		
7	AKK-1236	Fastening taber hub	1		136
8		Washer M12	6		
9		Hex screw M12x50	6		



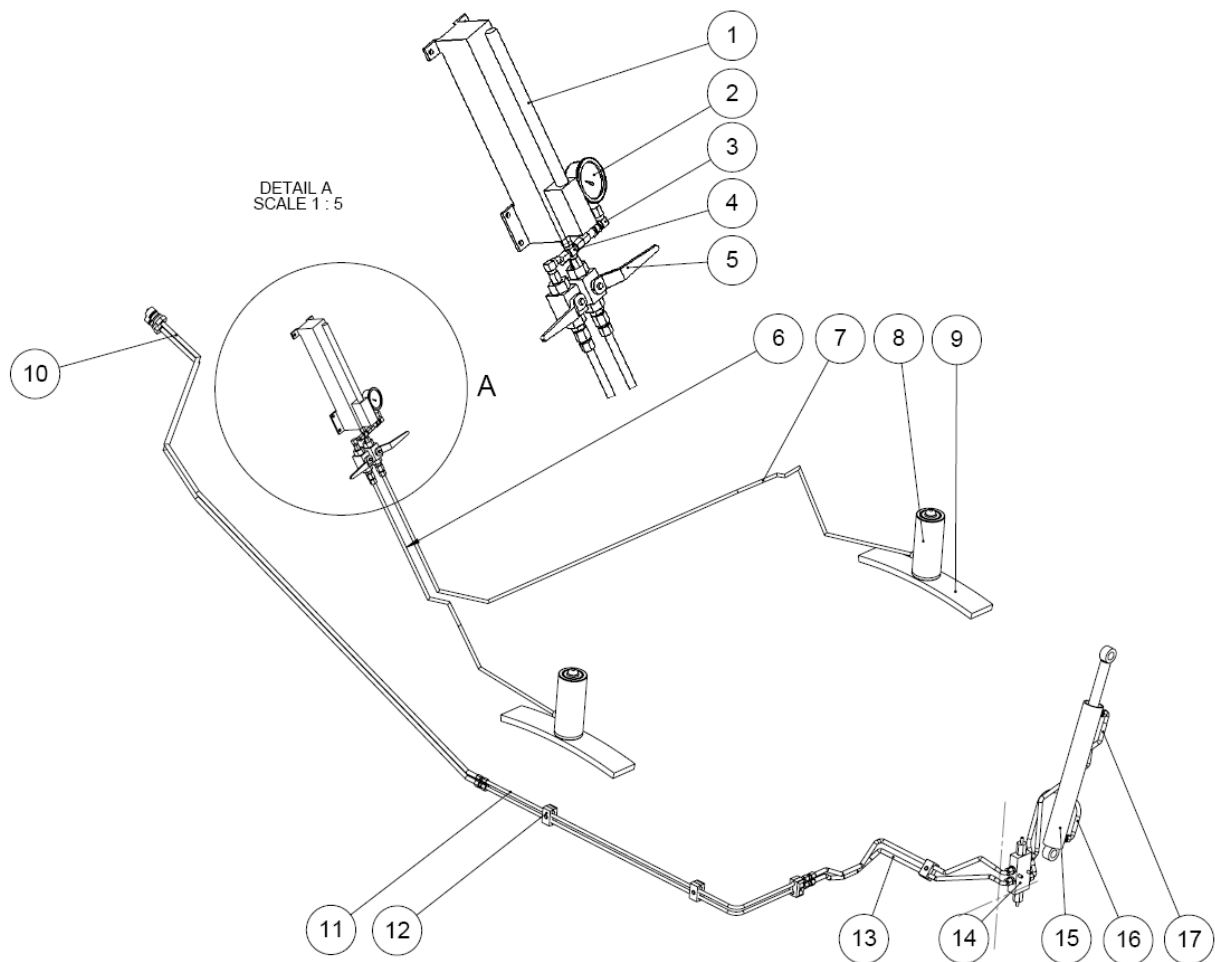
		Scrapers		
			Price € (VAT 0%)	
1	AKK-1203	Scraper knife blade 1400S2x2	4	48
	AKK-1770	Scraper knife blade 2000S2x2	4	52
2	AKK-1298	Scraper knife frame, right 1400S2x2	2	22
	AKK-1766	Scraper knife frame, right 2000S2x2	2	24
	AKK-1297	Scraper knife frame, left 1400S2x2	2	22
	AKK-1767	Scraper knife frame, left 2000S2x2	2	24
3		Washer M8	11	
4		Hex screw M8x16	8	
5		Washer M8	2	
6		Hex screw M8x30	2	
7	11727	Spring 1,75x16,51x114,3	2	
8		Nyloc nut M8	1	
9	24972	Handle Elessa I601	1	
10	AKK-1300	Handle	1	22
11		Lock screw M8x20	1	
12	AKK-1387	Crank	1	22
13	AKK-1302	Fastening plate, right	1	20
14	AKK-1585	Crank	1	22
15	AKK-1301	Fastening plate, left	1	20
16	AKK-1682	Adjusting brick	4	18



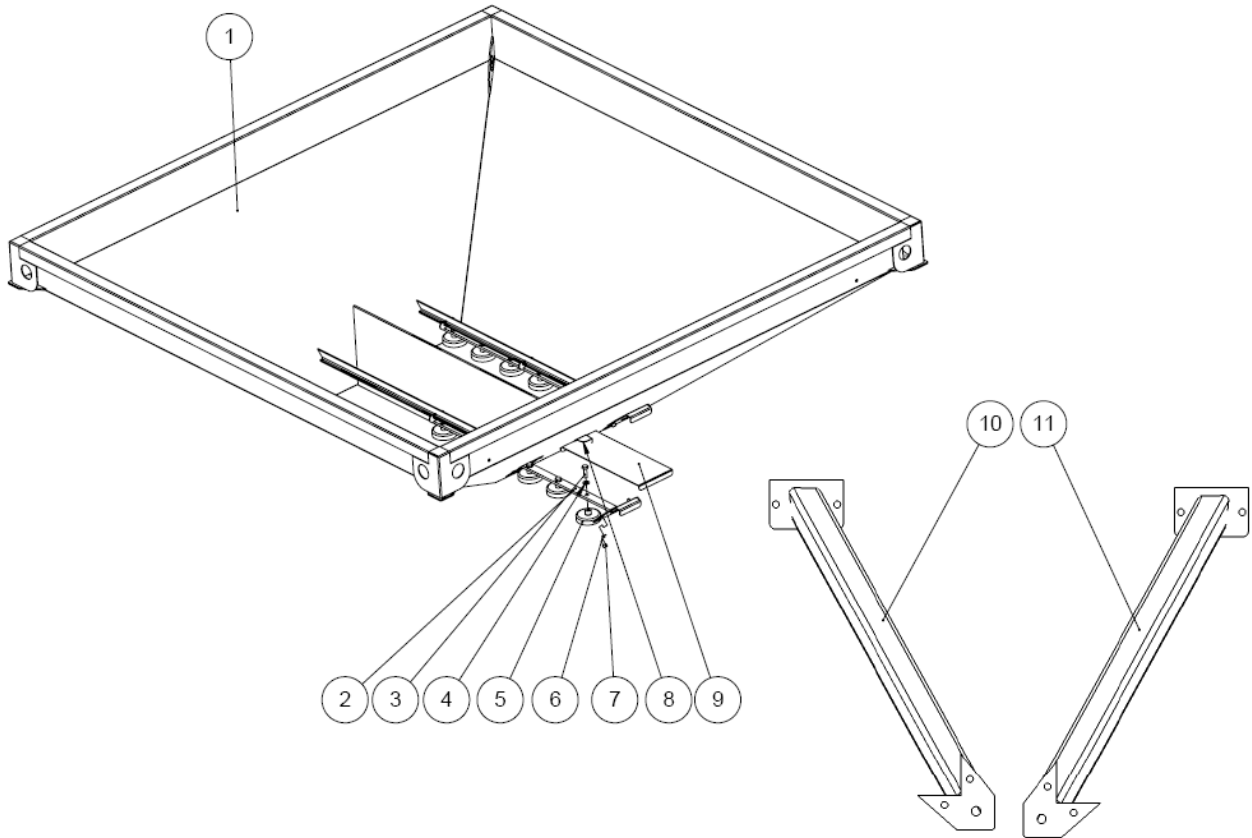
		Quards		Price € (VAT 0%)
1	AKK-1241	Belt quard plate, top	1	133
2	11771	Spring 201,5-150 300N	1	
3	AKK-1710	Bracket	1	22
4	AKK-1232	Adj. Roller quard, left 1400S2x2	1	145
	AKK-1772	Adj. Roller quard, left 2000S2x2	1	155
5	AKK-1260	Belt quard plate, bottom	1	130
6	AKK-1631	Bottom fastener	1	14
7		Toolbox	1	
8	AKK-1264	Adj. Roller quard, right 1400S2x2	1	145
	AKK-1774	Adj. Roller quard, right 2000S2x2	1	155
9	AKK-1469	Checking window 1400S2x2	2	13
	AKK-1749	Checking window 2000S2x2	2	16



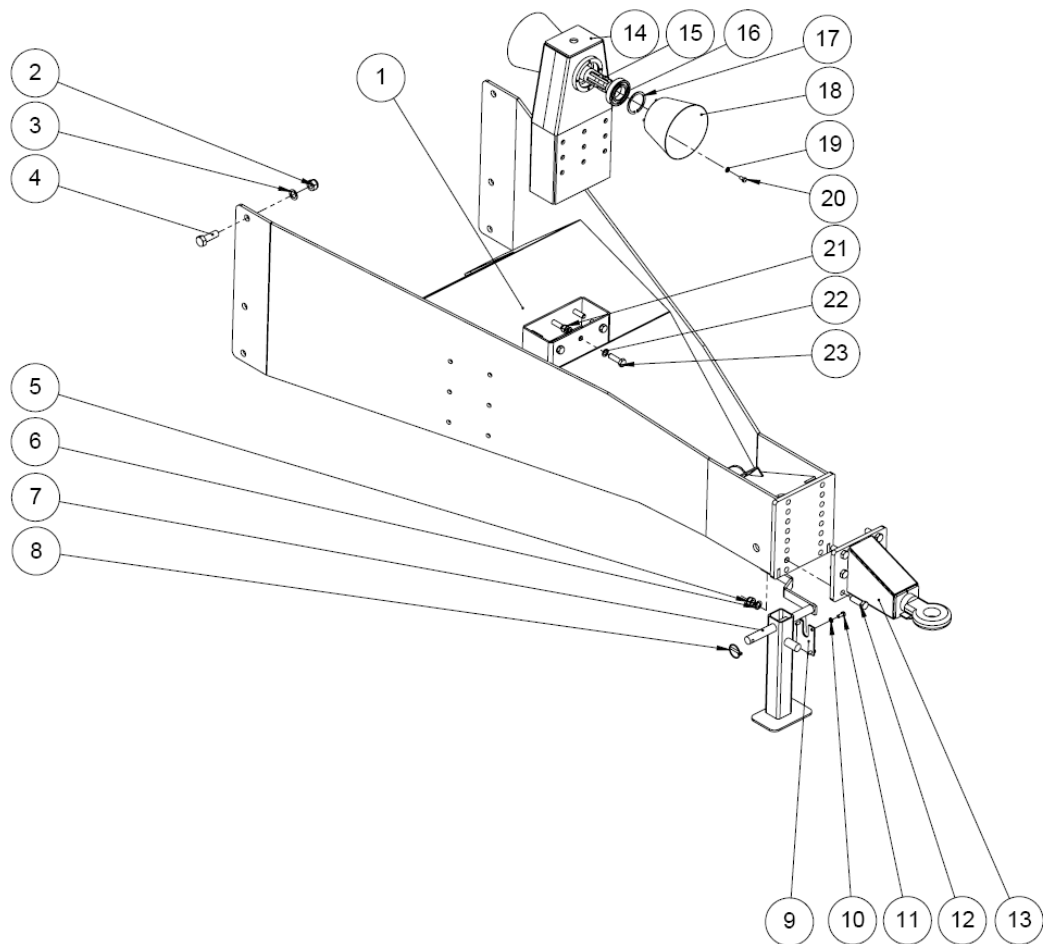
Rear axle with brakes				Price € (VAT 0%)
1	AKK-1574	Bottom arm, left	1	270
2	AKK-1807	Brake tube into frame Ø6mm 1400S2x2	1	7
		Brake tube into frame Ø6mm 1400S2x2	1	
3		Straight connector EL-6	1	
4	11831	Brake hose l=3400 with 1/4" brake connector	1	
5		Brake connector	1	
6	AKK-1808	Brake tube, left	1	9
7	11918	Brake hose, left	1	
8		T-pipe joint QL 6	1	16
9	AKK-1810	Brake tube, back	1	13
10	11917	Brake hose, right	1	
11	AKK-1584	Bottom arm, right	1	270
12	11707	Cone push 100x80 M16	2	
13		Nyloc nut M16	2	
14		Hex screw M8x30	4	
15		Washer M8	4	
16	AKK-1809	Brake tube, right	1	9
17		Tube 1/4" Ø6mm	2	
18	8933	Tyre 400/60-15.5 14pr TRAC	2	244
19		Grease tube into bottom arm	4	
21		Valve cotter	2	
22		Angle nipple	4	
23		Socket	4	
24		Grease nipple	4	
26	AKK-1805	Valve frame	2	17
27		Usit sealing 3/4"	4	
28	11640	Air bellows 12"x1	2	145
29	11400	Bearing BRM-80 Ø40/44 l=40mm	4	7
30	AKK-1582	Axle	2	27
31		Washer M8	2	
32		Hex screw M8x16	2	



Hydraulics				Price € (VAT 0%)
1	509706	Hydraulic hand pump	1	349
2		Pressure indicator	1	
3		Angle nipple	2	
4		Connector	1	
5		Tap	2	
6	509843	Hose composition 1/4" l=890mm	1	26
7	509844	Hose composition 1/4" l=2590mm	1	55
8	509720	Hydraulic cylinder Ø60/63x89mm	2	315
9	7478	Spring plate	2	
10	11829	Hose composition 3/8"	1	
11	AKK-1726	Hydraulic tube Ø10mm 1400S2x2	2	
		Hydraulic tube Ø10mm 2000S2x2	2	
12				
13	11826	Hose composition 1/4"	2	
14	11853	Valve	1	
15	11762	Hydraulic cylinder 50/30 400	1	
16	11914	Hose composition 1/4" 300mm	1	
17	11916	Hose composition 1/4" 800mm	1	

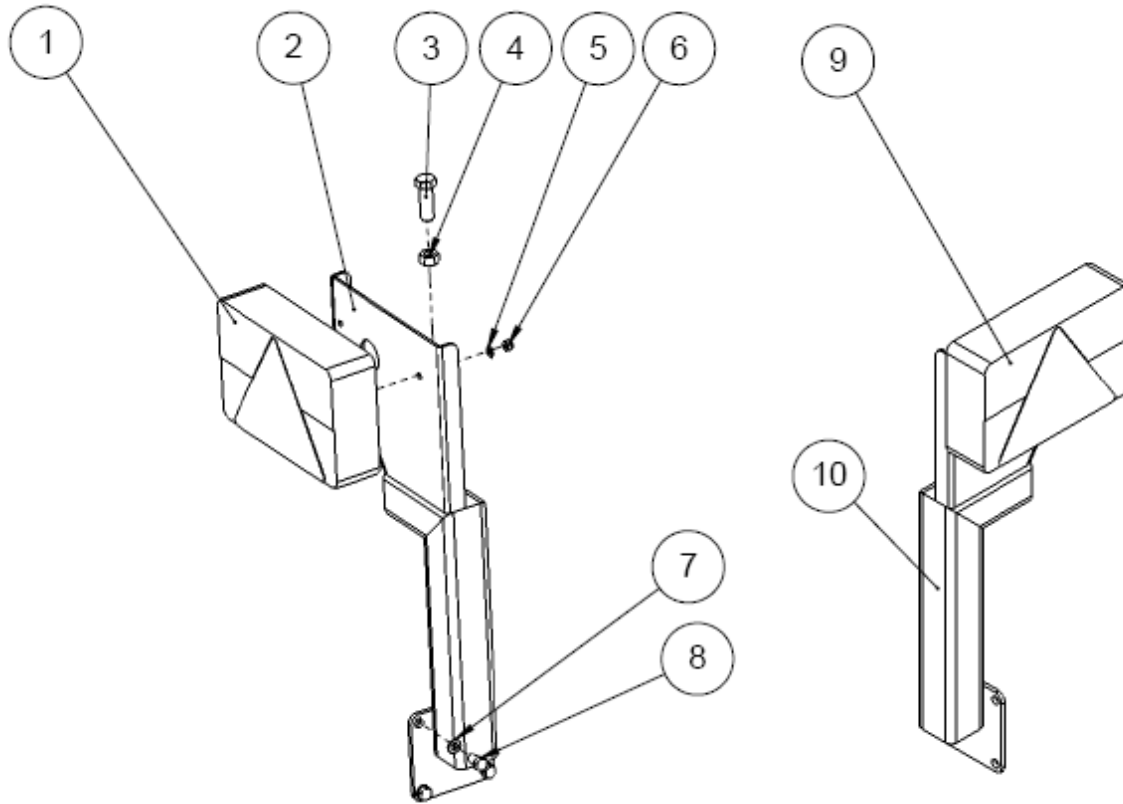


Hopper				Price € (VAT 0%)
1	AKK-1248	Hopper 1400S2x2	1	1296
	AKK-1750	Hopper 2000S2x2	1	1458
2	AKK-1396	Magnet set 1400S2x2	2	173
	AKK-1757	Magnet set 2000S2x2	2	205
3		Hex screw M10x35	12 or 16	
4		Washer M10	12 or 16	
5	1828	Magnet Ø80	12 or 16	23
6		Washer M8	5	
7		Allen screw M8x16	5	
8	AKK-1771	Holder	1	9
9	AKK-1397	Closing trap 1400S2x2	2	30
	AKK-1759	Closing trap 2000S2x2	2	35
10	AKK-1376	Corner tube, right 1400S2x2	2	89
	AKK-1763	Corner tube, right 2000S2x2	2	89
11	AKK-1375	Corner tube, left 1400S2x2	2	89
	AKK-1762	Corner tube, left 2000S2x2	2	89

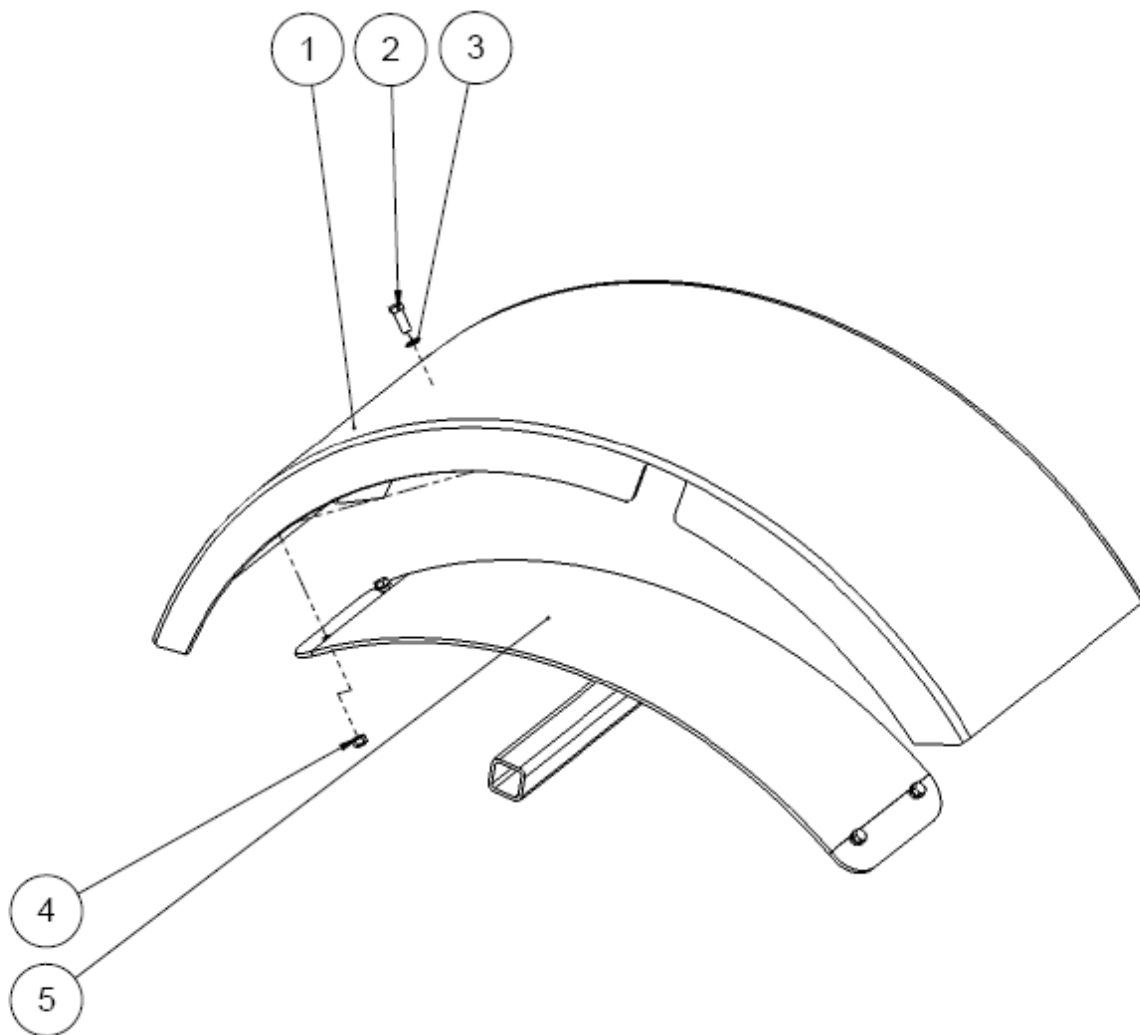


		Pull shaft		Price € (VAT 0%)
1	AKK-1541	Pull shaft	1	918
2		Nyloc nut M20	6	
3		Washer M20	6	
4		Hex screw M20x60	6	
5		Nyloc nut M16	6	
6		Washer M16	6	
7	AKK-2412	Support leg	1	54
8		Ring pin	1	
9	AKK-2335	Hinge plate into support leg	1	9
10		Washer M8	4	
11		Hex screw M8x20	4	
12		Hex screw M16x50	6	
13	AKK-1525	Hitch	1	146
14	AKK-2038	Universal shaft bearing	1	87
15	5950	Double-sided splined shaft 1 3/4	1	93
16	208326	Bearing 6209 85x45x19	2	
17	609820	Interior holder i 80	2	
18		Splined shaft shelter	2	
19		Washer M8	8	
20		Hex screw M8x16	8	
21		Nyloc nut M14	6	
22		Washer M14	6	
23		Hex screw M14x50	6	

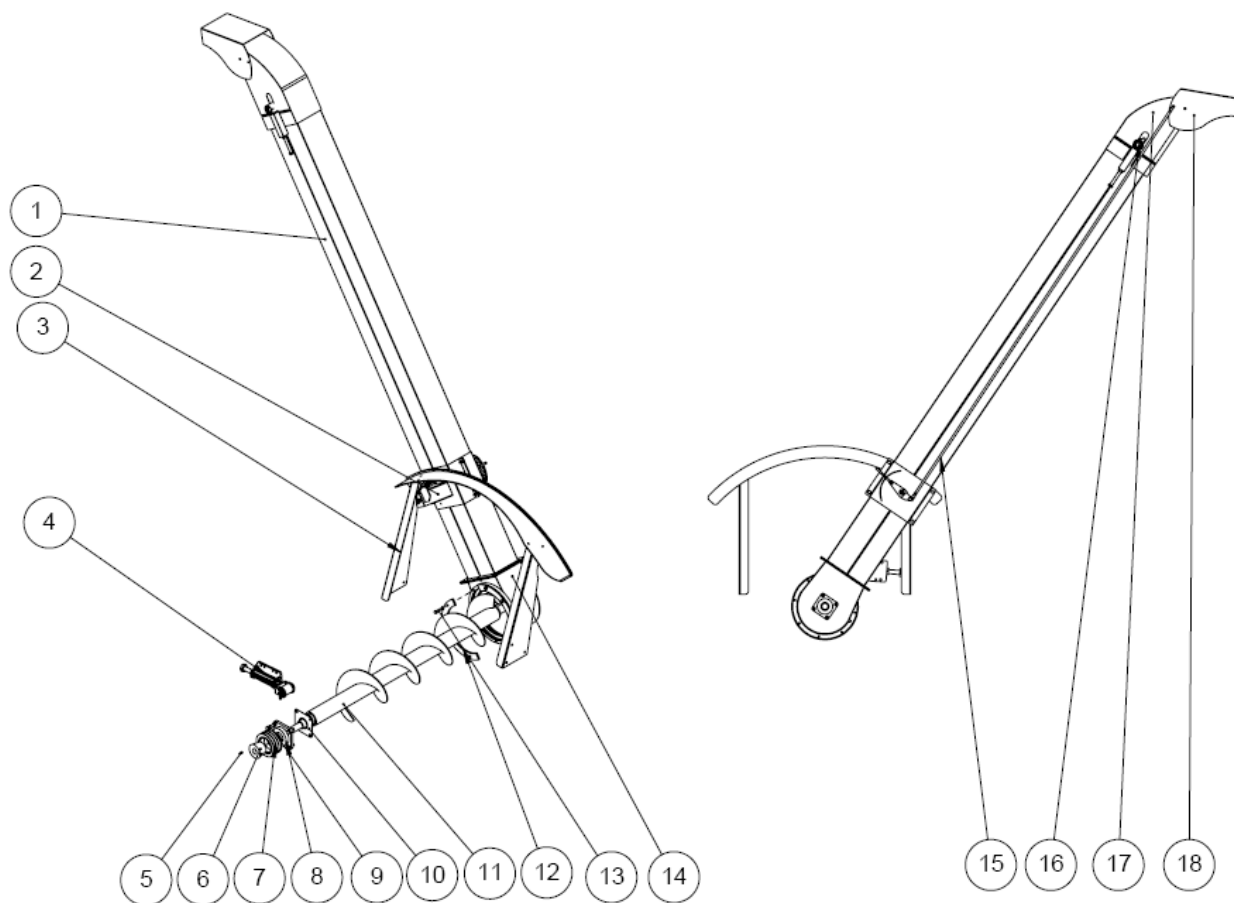




Fender stand and lights				Price € (VAT 0%)	
1	11228	Back lantern set	1	57	
2	AKK-1324	Fender stand, left	1	74	
3		Hex screw M12x40	2		
4		Nut M12	2		
5		Washer M6	4		
6		Nyloc nut M6	4		
7		Washer M8	8		
8		Hex screw M8x16	8		
9	11228	Back lantern set	1	57	
10	AKK-1802	Fender stand, right	1	74	



Fender					Price € (VAT 0%)
1	8690	Fender curve, left	1	54	
	8691	Fender curve, right	1	54	
2		Hex screw M8x20	8		
3		Washer M8	8		
4		Nyloc nut M8	8		
5	AKK-1816	Fender frame, left	1	52	
6	AKK-1817	Fender frame, right	1	52	



Elevator and bottom auger			Price € (VAT 0%)	
1	4475	Elevator tube	1	322
2	AKK-1603	Cylinder bracket	1	78
3	AKK-1611	Elevator curve	1	184
4	7689	Bottom auger belt clamp	1	249
5	2	Screw M8x20	2	
6	1676	Taber hub 2012-35	1	20
7	1661	Spline pulley SPB 140-3/2012	1	69
8	9242	Bearing UCF 210	1	86
9		Hex screw M14x40	4	
10	9558	Bearing sealing	1	17
11	9462	Bottom auger 1400S2x2	1	424
	9460	Bottom auger 2000S2x2	1	442
12	AKK-1182	Flange	2	11
13		Hex screw M10x40	8	
14	AKK-1170	Bottom	1	303
15	AKK-1672	Adjusting rod	1	42
16	11570	Elevator chain tensioner	1	211
17	4257	Elevator hat	1	87
18	11562	Hat vizor	1	22